

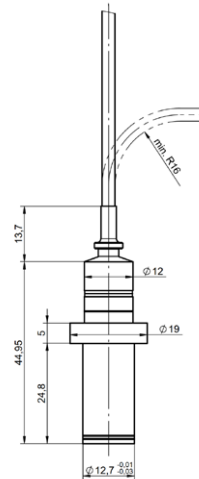


# High temperature pressure sensor for gas turbine- and thermoacoustics applications

Type 6025B...

Differential, acceleration compensated, piezoelectric pressure sensor for dynamic applications at highest temperatures up to 1 000°C.

- Operating temperature –55 ... 700°C
- Short time operating temperature –55 ... 1 000°C
- Internally case isolated
- Differential charge output
- Highest reliability
- Not pyroelectric
- Acceleration compensated
-  ATEX/IECEx certificated
-  conform



### Description

Core of the sensor is the single crystal PiezoStar measuring element, which has a temperature capability of over 1 000°C and is not pyroelectric. The sensor is designed for maximum longevity.

To reach highest resolution in harsh environment, the sensor is internally case isolated featuring two-wire technology with differential signal output. The integrated, mineral insulated hardline cable is available with different terminations.

Ex-approval (ATEX, IECEx) allows operation in hazardous areas.

### Application

Main applications are protection of equipment and condition monitoring of gas turbines. In addition, the sensor is used for the development of combustion chambers of gas turbines.

General purpose and thermoacoustics applications, which require

- Temperature capability up to 1 000°C
- Measurements of smallest pressure fluctuations
- Ex approvals for use in potentially explosive environment
- EMI resistant measuring chains

### Further applications

- Pressure pulsations on compressors, pumps, turbines, propellers, etc.
- Dynamic pressure measurements with high thermal shocks as for example gas and dust explosions (Ex testing), pyro-technical devices, closed vessel testing, energetic material testing, sloshing or small dynamic pressures as for example sound pressure, etc.

### Technical data

Reference temperature for performance specifications is 25°C unless otherwise noted. For more information, see technical brochure 960-201e.

#### Electric

Power		none
Output signal		charge
Signal mode		2-wire, differential
Signal conditioning		diff. charge amplifier
Insulation resistance pin – pin		
@ 25°C	Ω	≥10 <sup>11</sup>
@ 700°C	Ω	≥10 <sup>5</sup>
Insulation resistance pin – case		
@ 25°C	Ω	≥10 <sup>10</sup>
@ 700°C	Ω	≥10 <sup>5</sup>
Capacitance pin – pin	pF	≤20 + 60 pF/m cable length
Capacitance pin – case	pF	≤8 + 175 pF/m cable length

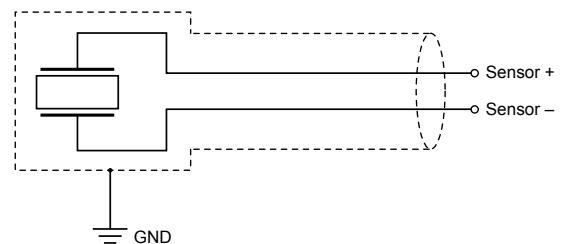


Fig. 1: Diagram, 2-wire, internally case isolated

**Technical data (continuation)**

**Operation**

Pressure measuring range	bar/psi	0 ... 100 / 0 ... 1 450
Calibrated partial range	bar/psi	0 ... 20 / 0 ... 145
Overload	bar/psi	200 / 2 900
Sensitivity (nom. ±10%)	pC/bar	103
Thermal sensitivity shift		see Fig. 2
Linearity, hysteresis and repeatability	%FSO	≤1
Acceleration sensitivity, typical	mbar/g	≤0.4
Natural frequency, longitudinal	kHz	ca. 50
Frequency range		
upper range (+10%)	Hz	ca. 20 000
lower range (–3 dB)	Hz	0.5 <sup>1)</sup>

<sup>1)</sup> in combination with differential charge amplifier Types 5181, 5183, 5185.

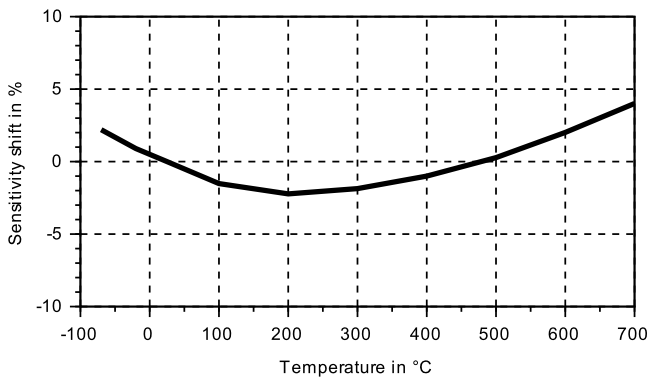


Fig. 2: Typical thermal sensitivity shift relative to room temperature

**Environment**

Operating temperature range		
Continuous	°C	–55 ... 700
Extreme <sup>3)</sup>	°C	1 000 <sup>3)</sup>
Termination		
LEMO PCA.0S.302	°C	–55 ... 180
7/16"-27 UNS-2A	°C	–55 ... 180
Open leads	°C	–55 ... 180
Shock	g	<1 000
Corrosion		see material
Humidity		
Housing with integr. cable		hermetically sealed
Connector		IP50
Explosive Environment		

Explosion protection:

Protection class

Ex-nA	ATEX	⊕ II 3 G Ex nA IIC T6...T710°C Gc SEV 18 ATEX 0208 X <sup>2)</sup>
	IECEX	Ex nA IIC T6...T710°C Gc IECEX SEV 18.0038X <sup>2)</sup>
Ex-ia	ATEX	⊕ II 1 G Ex ia IIC T6...T710°C Ga SEV 18 ATEX 0208 X <sup>2)</sup>
	IECEX	Ex ia IIC T6...T710°C Ga IECEX SEV 18.0038X <sup>2)</sup>

Entity parameter (intrinsic safety)

Ui	V	≤30
li	mA	≤130
Pi	W	≤0.8
Ci	pF	≤15 + 170 pF/m
Li	μH	0

Entity parameter (non-sparking)

Ui	V	≤30
li	mA	≤130

**Physical**

Weight sensor and cable	g	43 + 47 g/m cable length
Material		Nimonic alloy 90 INCONEL alloy 718
Cable jacket		INCONEL alloy 600
Wire		Nickel

<sup>2)</sup> Special conditions for safe use are described in the instruction manual  
<sup>3)</sup> For detailed information please contact the local Kistler sales office

6025B\_003-611e-10.22

Nimonic is a registered trade mark of Special Metals WigginsLtd.

INCONEL alloy 718 und INCONEL alloy 600 are registered trade marks of INCO family of companies.

This information corresponds to the current state of knowledge. Kistler reserves the right to make technical changes. Liability for consequential damage resulting from the use of Kistler products is excluded.

© 2022 Kistler Group, Eulachstrasse 22, 8408 Winterthur, Switzerland  
Tel. +41522241111, info@kistler.com, www.kistler.com. Kistler Group products are protected by various intellectual property rights. For more details visit www.kistler.com

**Connector Types**

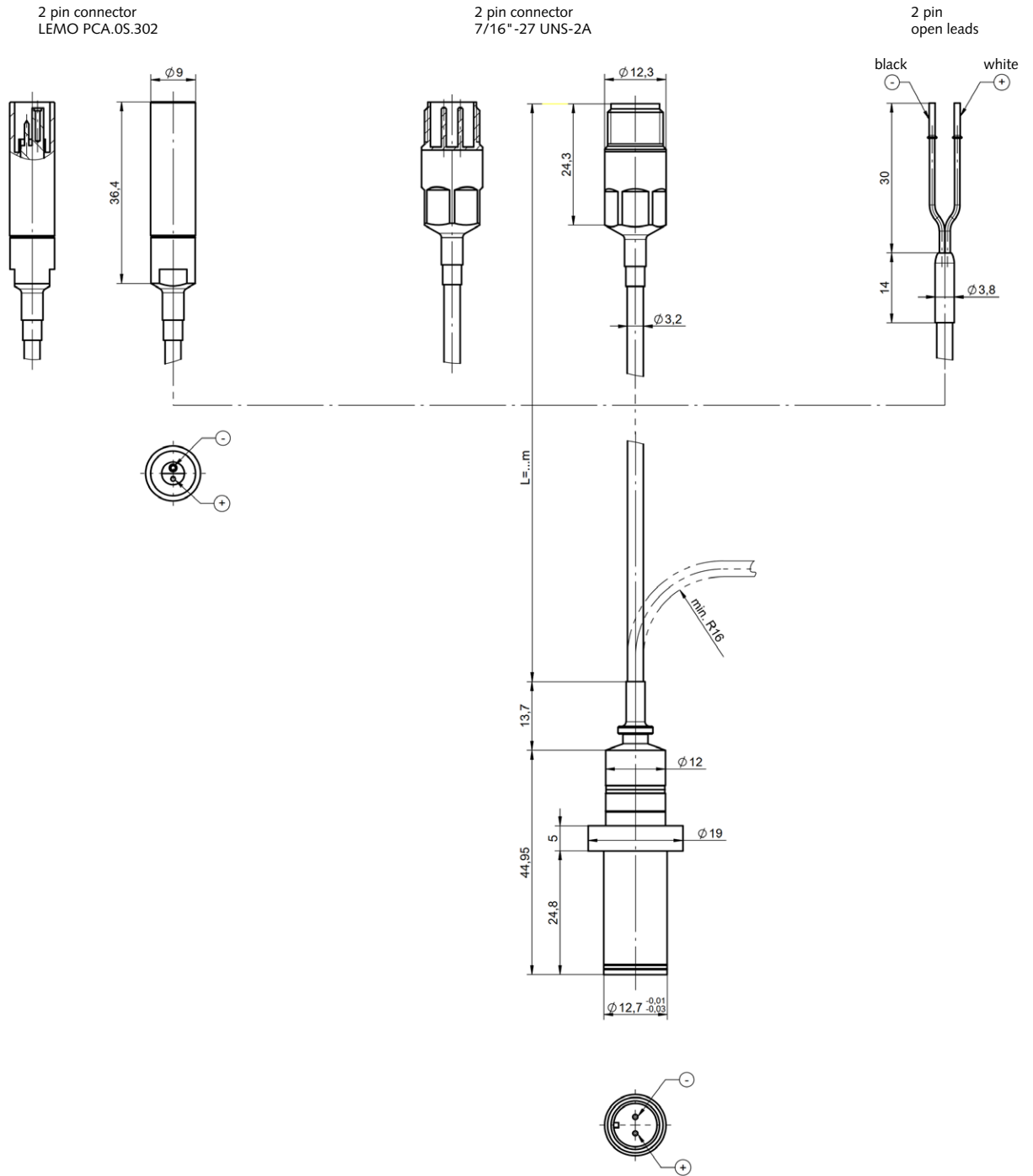


Fig. 3: Sensor dimensions Type 6025B... including cable terminations

6025B\_003-611e-10.22

**Sensor mounting bore**

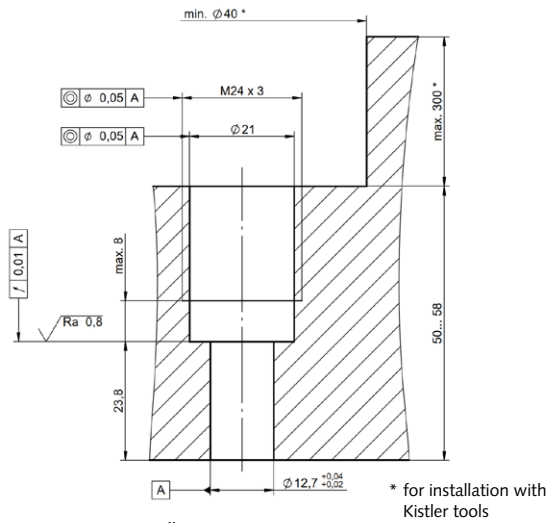


Fig. 4: Direct installation

**Sensor mounting**

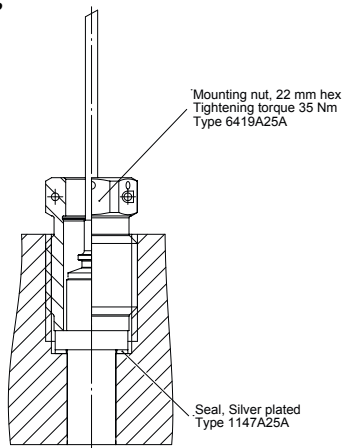


Fig. 5: Direct sensor installation

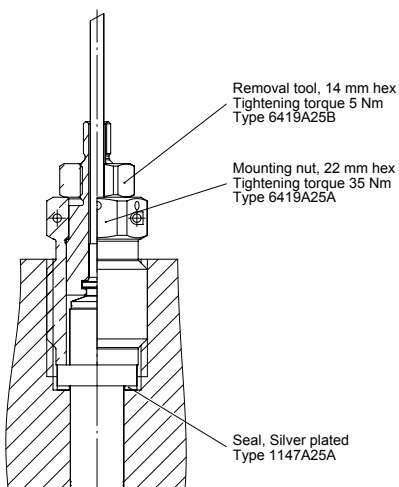


Fig. 6: Direct sensor installation with removal tool Type 6419A25B

**Accessories**

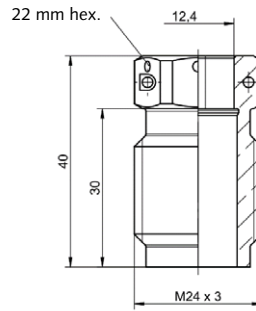


Fig. 7: Mounting nut M24x3, Type 6419A25A

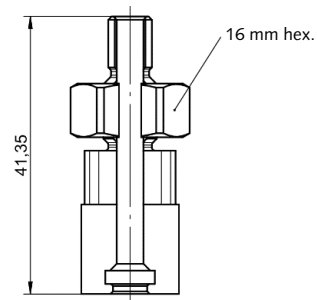


Fig. 8: Removal tool, Type 6419A25B to mounting nut

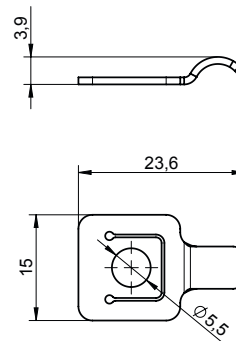


Fig. 9: Mounting bracket for hardline cable, Type 1423A1

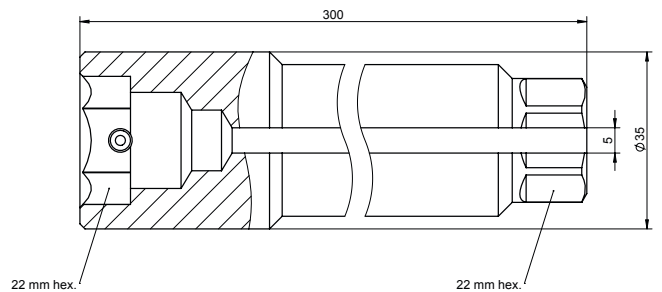


Fig. 10: Mounting tool slotted, Type 1251A25A

6025B\_003-611e-10.22

### Included accessories

- Mounting nut
- Sealing ring, silver plated (5 pieces)

### Optional accessories

- Sealing ring, silver plated (5 pieces)
- Mounting nut
- Insertion/removal tool
- Mounting bracket for hardline cable
- Mounting tool, slotted
- High temperature thread paste

### Optional accessories

- Softline cable
- Differential charge amplifier
  - Standard version
  - Ex-iA version
  - Ex-nA version

### Type/Mat. No.

6419A25A  
1147A25A

### Type/Mat. No.

1147A25A  
6419A25A  
6419A25B  
1423A1  
1251A25A  
1059

### Type/Mat. No.

1652A...  
5181A  
5183A  
5185A

### Ordering key

#### Ex certification

Not Ex certificated	–
Ex certificated: "Ex-ia", "Ex-nA"	E

#### Cable termination

LEMO 2 pole connector	A
7/16" 2 pole connector	B
Open leads	C

#### Cable length \* 4)

1 m	01
3 m	03

\* Customized lengths on request

4) Tolerance for cable lengths less than 1 m: +45 mm  
Tolerance for cable lengths between 1 m and 5 m: +75 mm

Type 6025B  NO

