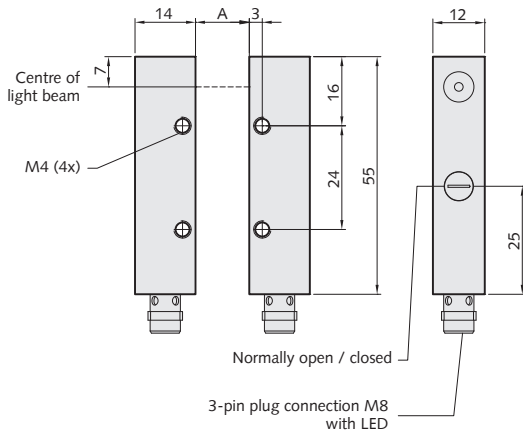


PGI-L series

Split laser light barriers with integrated amplifier – connector M8 – 3-pin

KISTLER

measure. analyze. innovate.



Application

Feed control
Position control
Counting parts

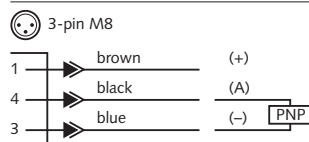
Specifications

Circuit	constant light trigger
Wavelength	650 nm, red light
Light beam diameter	0.2 mm
Laser output power	< 1 mW, laser class 2
Operating voltage	12–24 VDC
Current consumption	max. 60 mA
Mode of operation	static
Output with LED	PNP
Function	normally open/closed
Load current	200 mA short-circuit proof
Repeating accuracy	< 0.02 mm
Frequency	1 KHz
Temperature range	0°C – 40°C
EMC according to 2014/30/EU	EN 61000... CE
System of protection	IP 65
General tolerance of the housing	DIN ISO 2768-m

Resolution

Max. distance A [mm]:	1000
Part diameter [mm]:	> 0.6

Pin configuration



Article

Order No.

Split light barrier with separate transmitter and receiver:	
PGI-L/3-P	6520-00000-3002
PGI-L/3-P (S)	6520-40000-3002
PGI-L/3-P (E)	6520-50000-3002

Accessories (more accessories, see last pages)

Article	Order No.
Connection cable:	
VK-M8-g-2/M12 (2 m, straight)	2111-71002-0304
VK-M8-w-2/M12 (2 m, angled)	2111-71002-1304
VK-M8-g-S (2 m, shielded, straight)	2111-00902-0300
VK-M8-g-S (5 m, shielded, straight)	2111-00905-0300