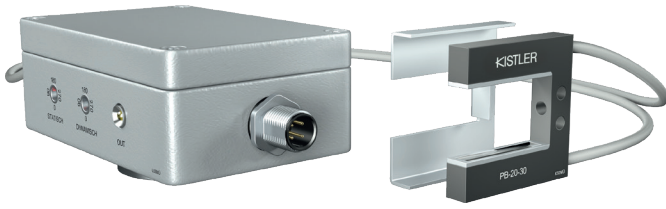


# PB 8 mm series

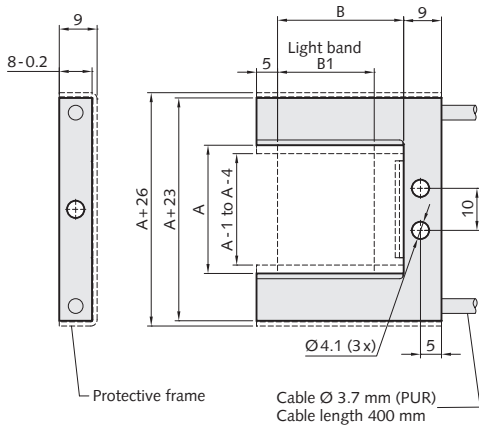
Multi-beam infrared fork light barriers with separate amplifier

# KISTLER

measure. analyze. innovate.



The protective frame is optionally available



A [mm]:	10	20	30	40	50	60
B [mm]:	15	30	30	40	75	75
B1 [mm]:	10	23	23	35	69	69

## Application

Ejection control  
Counting of ultra small parts

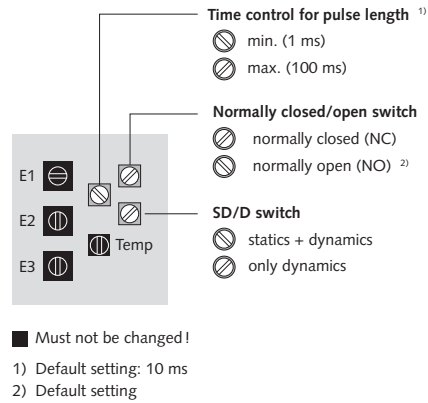
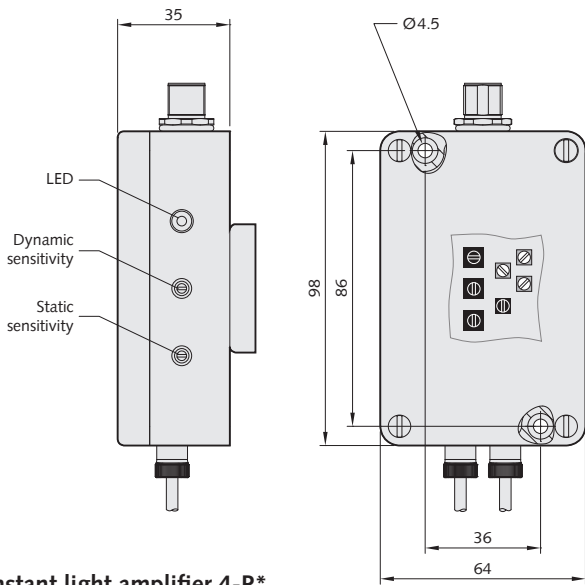
## Specifications

Circuit	Constant light trigger
Operating voltage	12 – 24 VDC
Current consumption	50 – 200 mA, depending on type
Mode of operation	dynamic/static <sup>1)</sup>
Sensitivity static/dynamic	adjustable by 270° pot
Output with LED	PNP, NPN on request
Function	normally open/closed
Load current	200 mA short-circuit proof
Pulse length	10 ms, internally adjustable (1 – 100 ms)
Frequency	max. 1 KHz, depending on pulse length
Temperature range	0°C – 60°C
EMC according to 2014/30/EU	EN 61000... CE
System of protection	IP 65
General tolerance of the housing	DIN ISO 2768-m

<sup>1)</sup> internal switch for dynamic/static operating mode

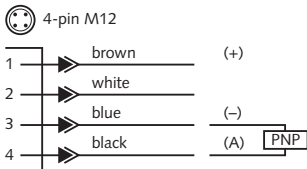
## Resolution

Fork width A [mm]:	10–30	40–60
Part diameter [mm]: dynamic	0.8	1.0
Part diameter [mm]: static	1.5	2.0



## Constant light amplifier 4-P\*

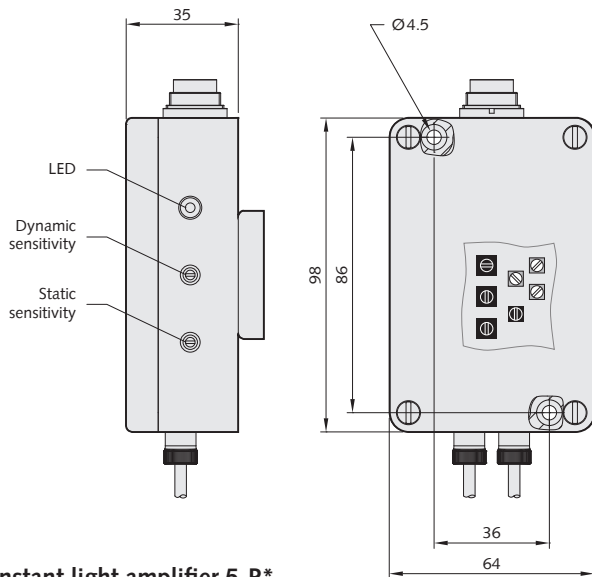
### Pin configuration



Article	Order No.
---------	-----------

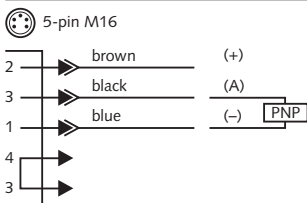
Fork light barrier with amplifier 4-pin plug:	
PB-10-15/4-P	8000-00000-4102
PB-20-30/4-P	8001-00000-4102
PB-30-30/4-P	8002-00000-4102
PB-40-40/4-P	8003-00000-4102
PB-50-75/4-P	8005-00000-4102
PB-60-75/4-P	8006-00000-4102

Fork light barrier with amplifier 5-pin plug:	
PB-10-15/5-P	8000-00000-0102
PB-20-30/5-P	8001-00000-0102
PB-30-30/5-P	8002-00000-0102
PB-40-40/5-P	8003-00000-0102
PB-50-75/5-P	8005-00000-0102
PB-60-75/5-P	8006-00000-0102



## Constant light amplifier 5-P\*

### Pin configuration



### Accessories ( more accessories see last pages )

Article	Order No.
Connection cable M12:	
VK-M12-5-g (5 m, straight)	2112-00005-0500
VK-M12-5-w (5 m, angled)	2112-00005-1500
Extension cable 4-pin M12:	
VK-M12-g/M12 (2 m, straight)	2112-00002-0404
VK-M12-g/M12 (5 m, straight)	2112-00005-0404
Connection cable 5/6-pin M16:	
VK-D/F-St-A (2 m)	2105-00002-0600
VK-D/F-St-A (5 m)	2105-00005-0600
Extension cable 5/6-pin M16:	
VK-D/D (2 m)	2104-00002-0606
VK-D/D (5 m)	2104-00005-0606

Protective frame:	
SR 10-15	2300-00000-0177
SR 20-30	2300-00000-0178
SR 30-30	2300-00000-0179
SR 40-40	2300-00000-0180
SR 50-75	2300-00000-0182
SR 60-75	2300-00000-0183

\*) With magnetic holder