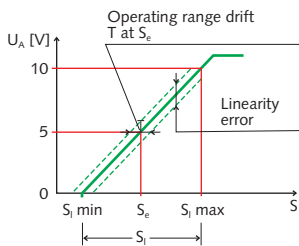
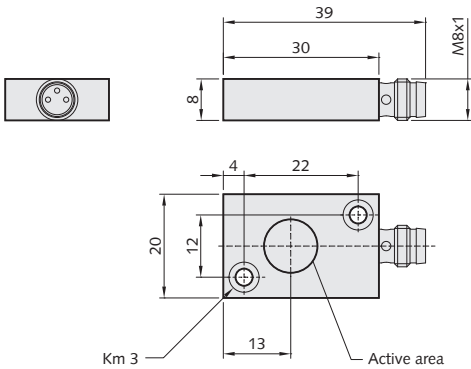


ISS-A series

Inductive switch with analog output
0–10 V – connector M8 – 3-pin



measure. analyze. innovate.



Application

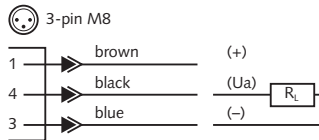
Double sheet control
Measuring inside the stamping tool

Specifications

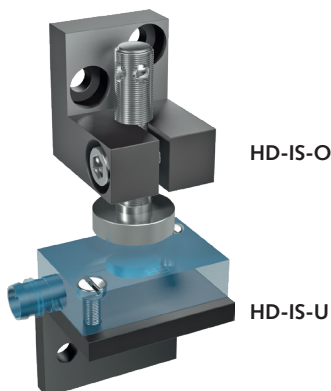
Circuit	Analog amplifier
Operating voltage	24 VDC ± 10%
Output voltage U_a	0 – 10 VDC
Load resistance R_L	5 kΩ min.
Limit frequency	1 KHz
Linearity range S_i	0.5 – 2 mm/ flush mountable
Max. temperature drift at S_i	± 5% (from U_a max.)
Linearity error	± 3% (from U_a max.)
Repeatability	≤ 3% (from U_a max.)
Rated operating distance S_e	1.25 mm, with ST37
Max. operating range drift T at S_e	± 0.125 mm
Temperature range	10°C – 60°C
EMC according to 2014/30/EU	EN 61000... CE
System of protection	IP 67

Instruction: Rated operating distance $S_e = 1.25$ mm with covering in BDC (Reference: ST37).

Pin configuration



Mounting bracket for stamping tool:



Application example

see "KCA 400"

Article

Order No.

with 3-pin connector M8:

ISS-20-30-1-A 6620-30151-0000

Accessories (more accessories, see last pages)

Article

Order No.

Analog controller KCA 400 4440-00010-0000

Connection cable on KCA 400:

VK-M8-g/M8-g (1 m, straight) 2111-00001-0303

VK-M8-g/M8-g (2 m, straight) 2111-00002-0303

VK-M8-w/M8-g (1 m, angled) 2111-00001-1303

VK-M8-w/M8-g (2 m, angled) 2111-00002-1303

Connection cable:

VK-M8-g (5 m, straight) 2111-00005-0300

VK-M8-w (5 m, angled) 2111-00005-1300

Mounting bracket for tool:

HD-IS-O Analog sensors (top) 2200-00011-0000

HD-IS-U Analog sensors (bottom) 2200-00012-0000