

SyncSwitch

For connecting and synchronizing

Type 5614A

- Synchronization for max. three DTI-Loggers
- Extended number of channels
- Simple cabling of multi-channel systems
- Possibility of decentralized data acquisition

Description

The SyncSwitch enables connection and synchronization of DTI-Loggers making it possible to use up to three loggers for measurements in KiCenter. In conjunction with three DTI-Loggers, measurements with up to 288 sensors are possible.

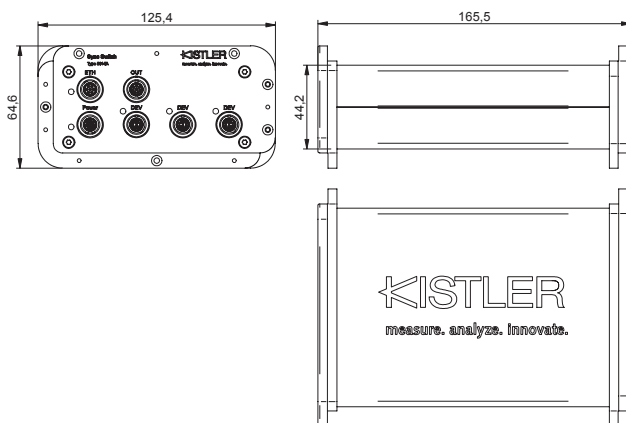
Both, centralized or decentralized arrangement of the DTI-Loggers is possible.



Technical data

DTI-Loggers (max.)	number	3
Synchronisation	Hz	1,000
OUT		Sync clock / start of measurement
Power supply	V	10 ... 28
Weight	grams	810
Dimensions	mm	see drawing below

Dimensions



DTI technology

End-to-end bus wiring system to take the measurement signals from every sensor to the data recorder. DTI converts each signal into a unique, time stamped digital output either directly in the DTI sensors, or via suitable DTI converters for use with any existing sensors. The sensor data is collected at the central DTI logger and is transmitted via Ethernet to the computer for evaluation. A single cable is all that is needed to configure the sensors, to transmit and synchronize the measurement data and to supply power. The automated sensor detection simplifies the test setup: installation position, calibration values and relevant physical parameters are detected automatically by the measuring software (KiCenter) and can be configured using the GUI.

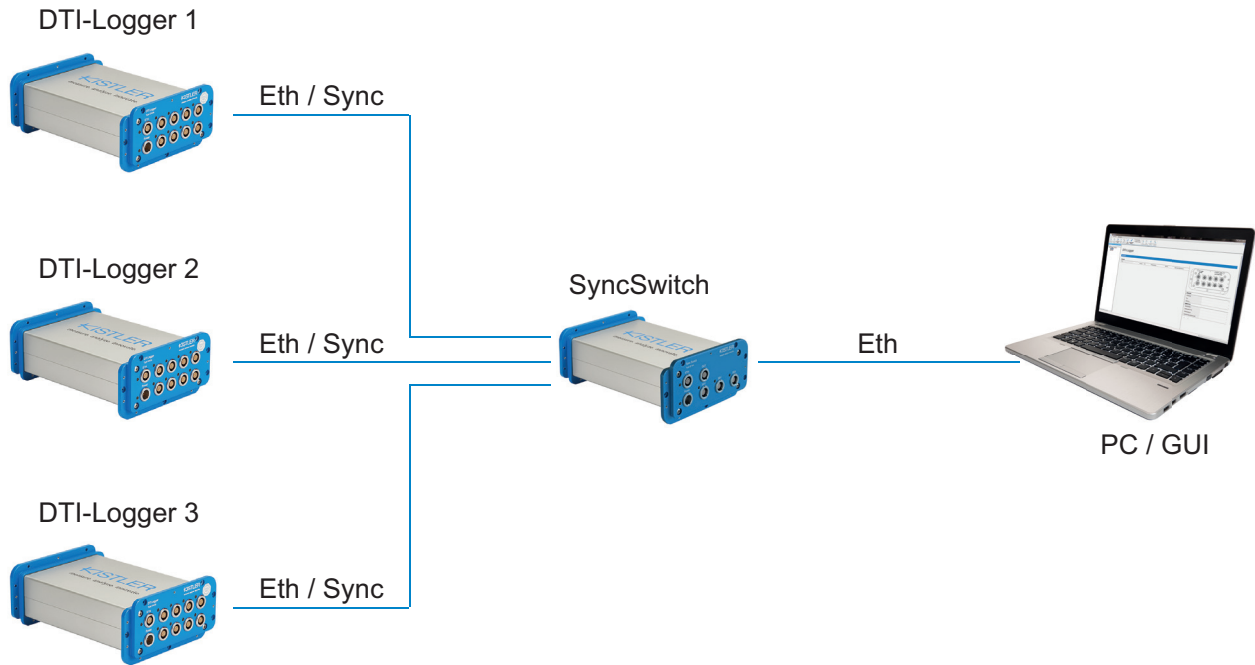


Fig. 1: Centralized or decentralized arrangement of the DTI-Loggers is possible

Included accessories

- SyncSwitch
- Power cable DTI sensors, l = 2 m
- Connecting cable ETH, l = 2 m
- USB stick software + manuals
- Cranked wrench key T8
- Transport case complete
- 4 x oval-head screw M2, 5x8
- 3 x communication cable, l = 0.5 m

Ordering no.

55182652
55155612
55155608
55158846
55065078
55189160
55065321
55184305

Optional accessories

- Communication cable, l = 2 m
- Communication cable, l = 10 m
- Communication cable, l = 20 m
- Synchronization cable, l = 2 m

Ordering no.

55184308
55186613
55187179
55184308

Ordering code

- SyncSwitch (art. No. 18037868)

Type 5614A

5614A_003-408e-04_19