

Charge generator for mobile use

Type 5363A

The Kistler Type 5363A is a mobile, battery powered charge generator for functional test and basic adjustment of charge amplifiers.

- Charge output signal of $\approx 0 \dots \pm 100'000\text{pC}$
- Adjustment with 10-turn Potentiometer
- Polarity Switch
- Reading accuracy $< \pm 3\%$
- Voltage output for reference point measurement
- Push button for output on/off

Beschreibung

The charge generator is connected instead of a sensor, or in parallel to a sensor to the measuring chain.

The Type 5363A shall be attached to one single amplifier each time. The cables used for connection of the 5363A to the amplifier should not exceed a length of 3m.

The visual adjustment via the potentiometer allows an accuracy of $< \pm 3\%$, whereby the accuracy for a certain range can be increased by previous counter measurement of the output voltage.



Technical data¹⁾

Charge output ranges	100pF	pCw	0 ... ±10 ³
	1nF	pC	0 ... ±10 ⁴
	10nF	pC	0 ... ±10 ⁵
Voltage level		V	0 ... ±10
Error		% FSO	<±3
Temperature coefficient		ppm/K	<100
Linearity deviation		% FSO	<0,2

Supply

Battery type ¹		IEC LR6
Battery quantity		2
Supply voltage (internal Battery)	VDC	2,4 ... 3,2
Operation duration ²⁾	h	>20

General Data

Operating temperature range	°C	0 ... 50
Min./max. temperature	°C	0/60
Housing material (housing connected to Sensor-/Exct.-GND via R/C-circuit only)		aluminium alloy
Environmental protection EN 60529		IP50
Dimension	mm	164x84,6x57,3
Weight	g	280

Connectors

Charge Output	Type	BNC neg.
Voltage Output	Type	BNC neg.

Ordering code

Handheld Charge Generator	Type	Type 5363A
---------------------------	------	------------

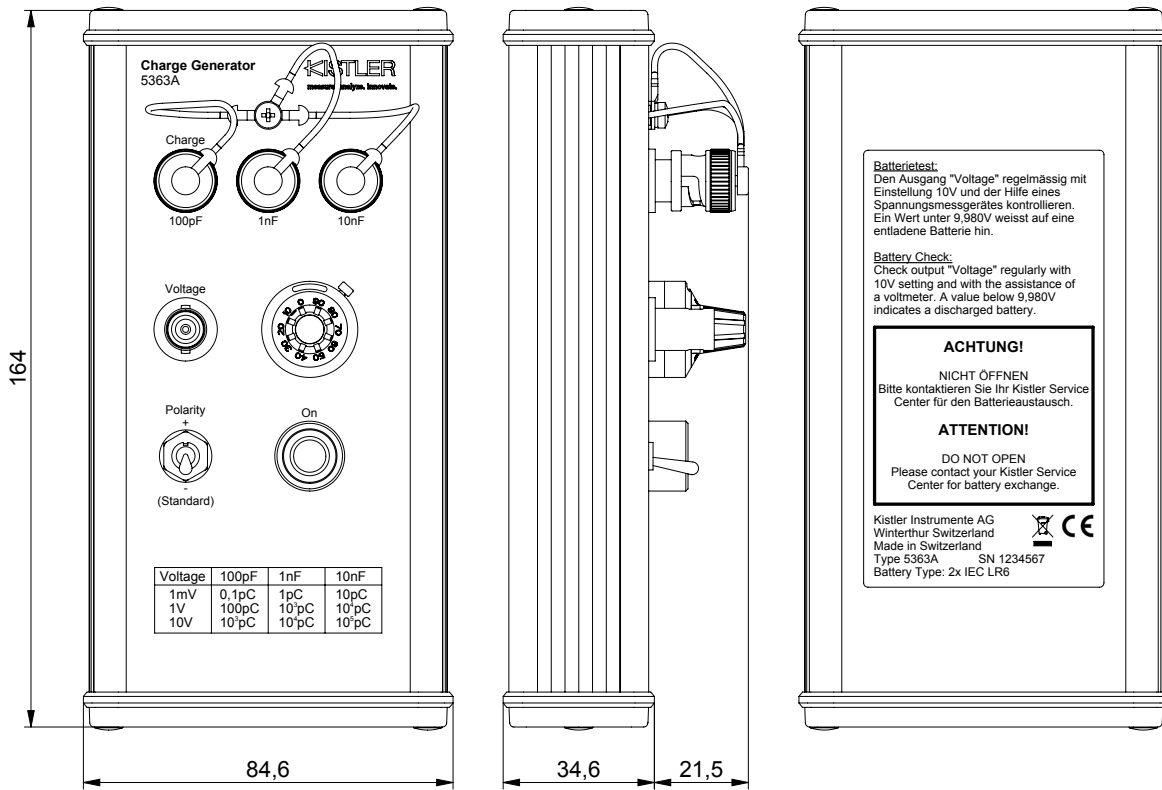
Optional Accessories

TNC neg. –BNC pos. Adapter	Type	1719
KIAG 10-32 neg. – BNC pos. Adapter	Type	1721
Cable 10-32 pos. – BNC pos. length 2m	Type	1631C2

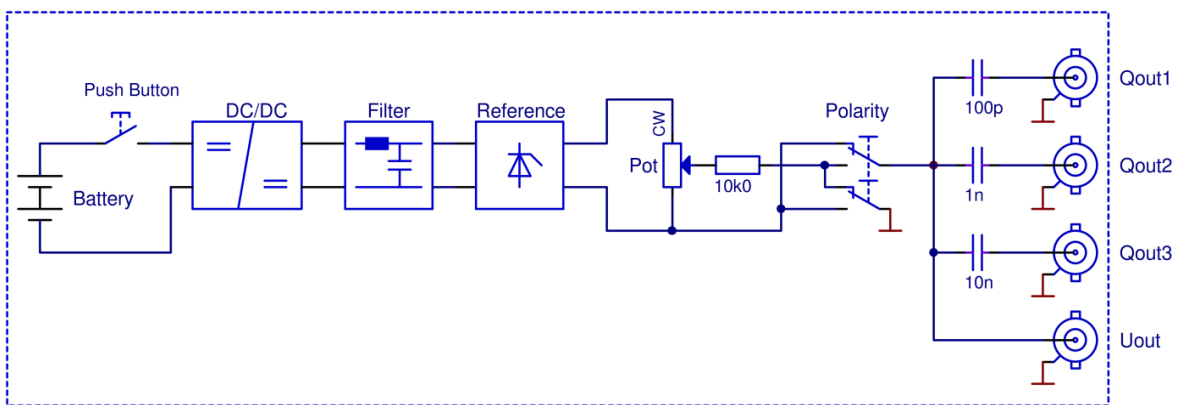
¹⁾ Battery replacement shall be done by Kistler Production Center in Switzerland to ensure proper assembly and operation. (Warranty void if replacement of batteries is done by customer)

²⁾ Check output "Voltage" regularly with 10V setting and with the assistance of a voltmeter. A value below 9,980V indicates a discharged battery.

Dimension



Block diagram



5363A_003-336e-11.17