

Multi-Channel Connector for Cavity Pressure Measurement

Type 1722A...

Simple solution to connect up to 8 Single-Wire or Coaxial sensors with the ComoNeo through a single cable. The integrated Mold Recognition simplifies loading of mold and article datasets into the ComoNeo as well as the detection of connection errors.

- Simplified connection of up to 8 sensors
- Compact multi-channel connector for up to 8 sensors
- Use of 4-channel or 8-channel extension cables

Description

A 4-channel connector allows the connection of up to four sensors. The 8-channel connector is designed for the connection of up to eight sensors.

Selection of the appropriate multi-channel connector can thus be determined by the grouping of the cavities. In the case of a mold with eight cavities, two 4-channel connectors can be fitted, i.e. one on each side.

Application

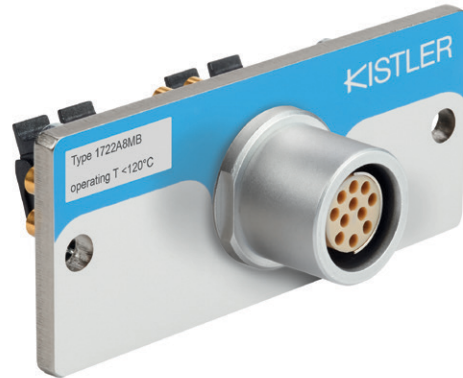
The multi-channel connectors are designed for industrial use in multi-cavity molds. The multi-channel connectors Type 1722A4... and 1722A8... save space in the mold, and the simplified connection technique reduces the time needed to install the multi-channel extension cables Types 1995A... and 1997A... .

The multi-channel connectors enables in connection with Single-Wire and Coaxial Cables a simple mounting of cavity pressure sensors.

This simplifies and standardizes the connection to quality monitoring systems like the ComoNeo. The hazards of a potential mix-up can be excluded when connecting the sensors to the ComoNeo. In addition the Multi-channel connector has an integrated chip which allows the assignment to a specific mold. This enables the ComoNeo to recognise which mold is connected.

The multi-channel connectors can also be operated with the conventional machine-integrated charge amplifiers Type 5159A... . An adapter cable Type 1999A1A... is provided to ensure compatibility with this type of installation.

The operating temperature limit is 120°C.



Technical Data

Multi-Channel Connector Type 1722A...

		Type 1722A4MB	Type 1722A8MB
Number of channels	–	1 ... 4	1 ... 8
Cable	–	Single-Wire and Coaxial	Single-Wire and Coaxial
Mounting	–	in the mold	in the mold
Mounting dimensions (LxBxT)	mm	52x28x38	68x28x38
Connector type for extension	–	Fischer 103	Fischer 104
Mold temperature	°C	120	120
Min. guaranteed Plugging cycles	Num.	min. 20	min. 20

		Type 1722A4SB	Type 1722A8SB
Number of channels	–	1 ... 4	1 ... 8
Cable	–	Single-Wire	Single-Wire
Mounting	–	in the mold	in the mold
Mounting dimensions (LxBxT)	mm	52x28x38	68x28x38
Connector type for extension	–	Fischer 103	Fischer 104
Mold temperature	°C	120	120
Min. guaranteed Plugging cycles	Num.	min. 20	min. 20

1722A_003-264e-09.16

Mounting Single-Wire Cable

The single-wire cables of the cavity pressure sensors are pushed into the cut and grip contact without stripping the insulation. The cable can be cut to length as appropriate for the mold dimensions.

Mounting Coaxial Cable

The Coaxial Cable of the cavity pressure sensors are connected directly into the Mini-Coaxial connector.

Optionally it is possible to mix both cable types.

Processing of Measured Data

For the automatic processing of the measured data and for process control is the ComoNeo Type 5887A... available (Datasheet: 5887A_003-231)

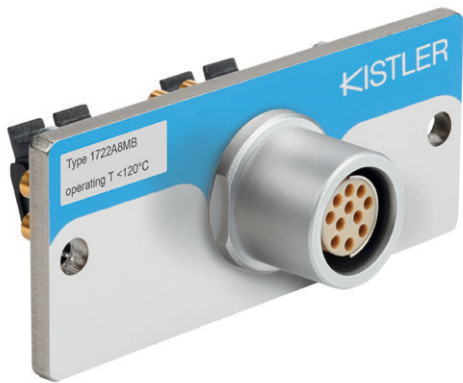


Fig. 1: 8-channel connector Type 1722A8... for connecting up to eight sensors, optionally with Single-Wire or coaxial cable.

Outline of 1722A4_B

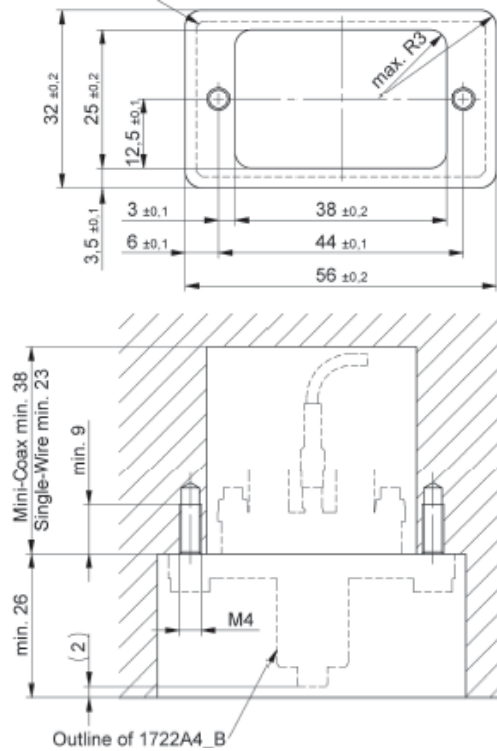


Fig. 2: Mounting dimensions for 4-channel connector Type 1722A4...

Outline of 1722A8_B

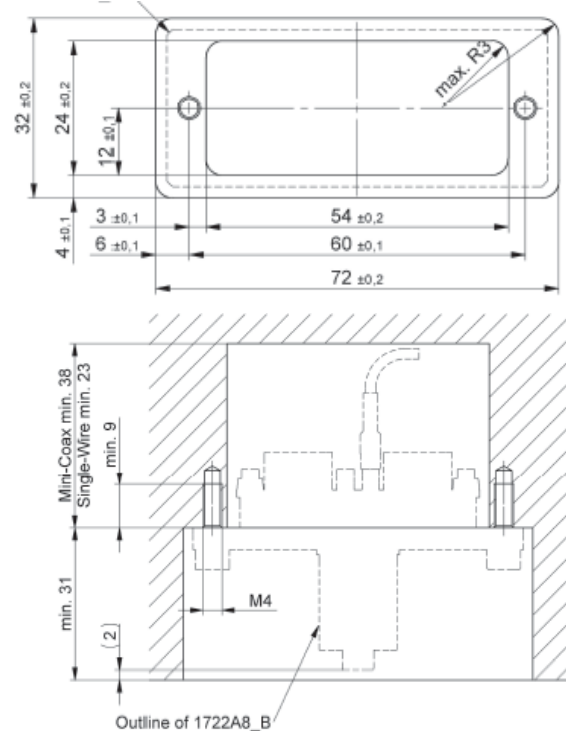


Fig. 3: Mounting dimensions for 8-channel connector Type 1722A8...

1722A_003-264e-09.16

Scope of Delivery with Included Accessories **Type/Art. No.**

- 4-channel connector with Fischer 103 1722A4...
 - Coding plate (red) for Type 1722A4... 55155928
- or
- 8-channel connector with Fischer 104 1722A8...
 - Coding plate (red) Type 1710B0 65005076
 - Socket Head Cap Screw M4x10 6.120.117
 - 4-channel connector with Protective cap with Fischer D/K103 5.211.513
 - 8-channel connector with Protective cap with Fischer D/K104 65008413

Optional Accessories**Type**

4-channel extension cable for Type 1722A4...

(max. 4 sensors)

Connector 6-pin pos. to connector 6-pin neg.

- Length 1 m 1995A1
 - Length 2 m 1995A2
 - Length 5 m 1995A5
 - Length customer-specific 1995Asp
- (L_{min} = 0,3 m/L_{max} = 10 m)

8-channel extension cable for Type 1722A8...

(max. 8 sensors)

Connector 11-pin pos. to connector 11-pin neg.

- Length 1 m 1997A1
 - Length 2 m 1997A2
 - Length 5 m 1997A5
 - Length customer-specific 1997Asp
- (L_{min} = 0,3 m/L_{max} = 10 m)

Adapter cable for Type 1722A4...

4 BNC connectors for charge amplifier Type 5159,

Connector 6-pin pos. to 4 x BNC pos.

- Length 0,5 m 1999A1A0,5
 - Length 2 m 1999A1A2
 - Length 5 m 1999A1A5
 - Length customer-specific 1999A1Asp
- (L_{min} = 0,6 m/L_{max} = 10 m)

Adapter cable for Type 1722A8...

8 BNC connectors for charge amplifier Type 5159,

Connector 11-pin pos. to 8 x BNC pos.

- Length 0,5 m 1999A2A0,5
 - Length customer-specific 1999A2Asp
- (L_{min} = 0,6 m/L_{max} = 10 m)

Ordering KeyType 1722A **Number of channels**

4-channels	4
8-channels	8

Connection

Single-Wire	S
Multi (Single-Wire and Coaxial)	M

Model

Basic type	B
------------	---