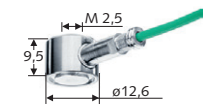
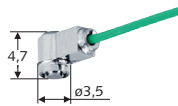


# Indirect Cavity Pressure Measurement

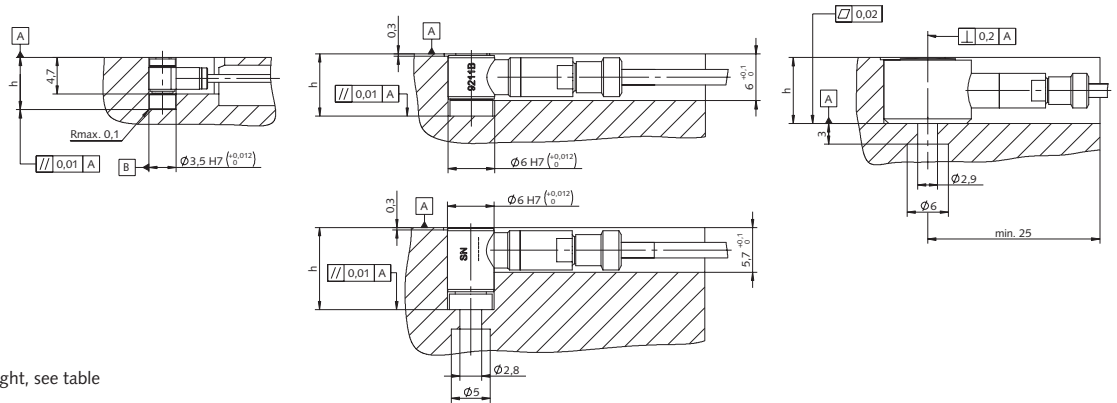
## Summary table indirect Sensors

Types 9210A..., 9211B...,  
9213B..., 9204B...

Front diameter	3,5 mm		6 mm		12,6 mm
Technical Data	Type	9210A... <sup>1)</sup>	9211B... <sup>1)</sup>	9213B...	9204B... <sup>1)</sup>



### Installation sketch



h = minimum installation height, see table

Measuring range		0 ... 2,5		0 ... 2,5		0 ... 10	
Force <sup>2)</sup>	kN	0 ... 0,25	0 ... 2,5	0 ... 2,5	0 ... 10		
Overload	kN	0,3	3	3	12		
Sensitivity	pC/N	≈-10	≈-4,4	≈-4,4	≈-1,6		
Cable technology							
Single-wire, with/without connector <sup>3)</sup>		•	•	•	•		
Coaxial		-	•	•	•		
Exchangeable cable		-	•	•	•		
Operating temperature range	°C	-40 ... 200	-40 ... 200	-40 ... 200	-40 ... 200		
Applications + characteristics		all injection molding processes  smallest force sensor cable output at the side, especially for modularly designed molds	all injection molding processes  especially for multi-cavity molds	all injection molding processes  with M2.5 fastening thread especially for multi-cavity and small molds	all injection molding processes  with M2.5 fastening thread		
Accessories							
Thrust washer	Type	9406 <sup>4)</sup>	9411 <sup>4)</sup>	9413 <sup>4)</sup>	-		
Important installation dimensions							
Dimensions	mm	3,5	6	6	12,6		
Construction height	mm	4,7	5,7	8,5	9,5		
Minimum installation height	mm	6,7	7,7	10,5	9,6		
Data sheet, see <a href="http://www.kistler.com">www.kistler.com</a>		9210A (000-601)	9211B (000-555)	9213B (000-556)	9204B (000-128)		

<sup>1)</sup> Standard product

<sup>2)</sup> Conversion formula for pressure sensitivity: Pressure sensitivity [pC/bar] = nominal force sensitivity [pC/N], area of the ejector pin [mm<sup>2</sup>] x 0.1

<sup>3)</sup> Cables can be shortened by the user, standard length 1.5/5m

<sup>4)</sup> Delivered accessories

<sup>5)</sup> Elongation is proportional to the cavity pressure