

# Piezotron Coupler

Type 5114...

## Versatile voltage mode piezoelectric sensor power supply/coupler

A self contained power source that provides excitation power and acts as an interface between voltage mode piezoelectric sensors and measuring instruments. Single channel unit powered by internal 9 volt battery or an AC/DC adaptor.

- Provides constant current excitation
- Monitors condition of sensors and cables
- 3.5 digit LCD display
- AC, DC or battery powered
- Conforming to CE

### Description

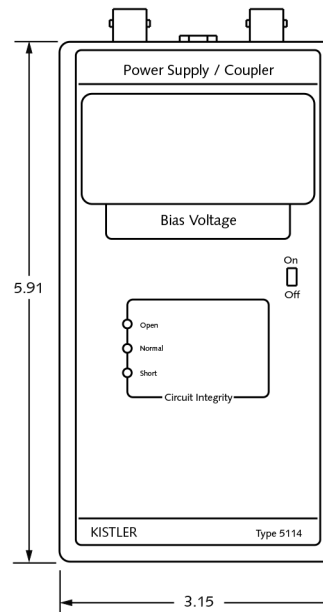
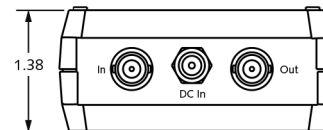
Type 5114 is a single channel signal conditioner that provides-constant current excitation required by low impedance voltage mode sensors with built-in electronics (i.e. Piezotron, PiezoBeam, K-Shear, and Ceramic Shear) or for high impedance sensors with an external impedance converter. Sensor power is supplied by the same two-wire cable that provides the low impedance, output signal. Type 5114 decouples the DC bias voltage from the output signal.

A 3.5 digit LCD with 0.5 inch high digits indicates sensor DC bias voltage. Three light-emitting diode on the display panel indicate the basic status of the sensor circuit. Bias voltages in the range of 4 to 16 volts are normal and result in a "Normal" (green) indication; bias voltages below 4 volts (see model exception note 2) produce a "Short" (red) indication; and, a voltage above 16 volts will result in an "Open" (yellow) indication.

The unit operates from a single 9 volt battery or DC power from an external AC/DC power adapter. "LOBAT" is indicated on the LCD readout when battery replacement is required. One 9 volt battery is installed in a compartment in the bottom of the case and operates 36 hours. The meter will operate at least one hour when displaying "LOBAT". Type 5114 can also be powered by external 12 volt DC power supplied through the 2.1 mm (0.08") jack. A power "On/Off" switch is located on front of the case.

### Application

The primary use for Type 5114 is to provide excitation power low impedance, voltage mode piezoelectric pressure, force and acceleration sensors. Its small size and light weight plastic molded case provides excellent portability for a measurement system both in the laboratory or in the field.



5114\_000-330a-10:18

## Technical data

Specification	Unit	Type 5114
<b>Sensor</b>		
Sensor voltage	Vpp	20
Supply current	mA	2
Gain		1
Frequency response <sup>1)</sup> (±5 %) (1 MΩ load; 9.5 ft. total cable length and 5 Vpp signal level)	Hz	0.07 ... 60 000
Time constant	s	10
Temperature range operating (alkaline battery)	°F	14 ... 129
Temperature range storage	°F	-4 ... 140

## Output

voltage	Vpp	20
Impedance	Ω	<100 (in series w/47 μF)
Internal battery	Type	9 V alkaline
Battery life	hours	36
External voltage source	VDC	12 ... 24
	mA	20

## Connectors

Input/outpur	Type	BNC neg.
External power	Type	0.08 in. jack
Weight (with battery)	grams	250

1 g = 9.80665 m/s<sup>2</sup>, 1 Inch = 25.4 mm, 1 Gramm = 0.03527 oz, 1 lbf-in = 0.113 N-m

<sup>1)</sup> Actual responses is dependent upon cable length and signal amplitude

<sup>2)</sup> Accelerometer Type 8614A500 and Type 8694M1 have a normal operating bias on the range of 2.5 to 5 VDC

## Measuring Chain

Measure	Connect	Amplify	Output	Analyze
Type 8XXX... Low impedance	Type 1761B... 10-32 pos. BNC pos.	Type 5114... Power supply/ signal conditioner	Type 1511 BNC pos. BNC pos.	not supplied

## Optional accessories

• AC-DC power adapter (230/120 VAC to 12 VDC)	Type/mat. no. 5752
• Carrying case	55129968
• DC power cable (6 ft)	55131496

## Ordering key

### Power supply/coupler – variants

Supplied with 9 V alkaline battery	-
Supplied with 9 V alkaline battery AC-DC power adapter (5752), and carrying case (55129968)	<b>S1</b>

Type 5114